



VoIP Auteldac 4

VoIP IECEx and ATEX Approved Hazardous Area Telephone

WORLD'S FIRST IEC/ATEX ZONE 1 VOIP TELEPHONE



- World's First IEC/ATEX Zone 1 VoIP telephone
- Ex II 2 G ATEX certified / IECEx certified
- Power over Ethernet
- VoIP SIP Protocol (RFC3261)
- Web Page configuration
- Real time alarm reporting via e-mail
- Full keypad with 3 programmable memory buttons, or CB variant
- Operating Temperature -20°C to +50°C
- Adjustable Sounder
- Configurable relay output
- Robust and weather resistant up to IP65
- Industry standard robust handset with curly cord or armoured stainless steel
- Headset option
- CE Compliant

The VoIP Auteldac 4 (A4) is the world's first ATEX and IEC Zone 1 approved telephone providing simple network connection without the need for analogue convertors, extending VoIP access to arduous industrial atmospheres and environmental extremes.

With only one voice and data infrastructure to install and maintain, VoIP telephony saves time, money and call costs.

Certified for safe operation in hazardous areas, the VoIP A4 body is made from carbon loaded glass filled polyester.

The elimination of moving parts ensures a high level of reliability in industrial and hazardous environments and enables ingress protection up to IP65.

The VoIP A4 telephone has a configurable relay output fitted as standard, which may be used for ring strobe activation or local speaker mute. An inductive coupler is fitted to aid the hard of hearing. For hands-free telephone use, the Auteldac 4 has the option of an ATEX approved headset.

Options:

The VoIP A4 is offered with a choice of armoured stainless steel or curly handset cords.

0 button

This can be used to initiate a 'hotline'. Autodial on handset lift also available.

18 button Full Keypad

Included in the 18 button version, are 3 direct dial buttons for fast one touch dialling of pre-stored numbers.

Includes: *M1- M3* Memory buttons, plus *S* 'Silence' and *LR* 'Last number redial'

Easy configuration: password protected intuitive web pages held within the telephone can be accessed using a browser such as Internet Explorer to view, monitor and change settings within the telephone.

24/7 Availability: telephones with memory buttons have an automatic call divert facility so that if a number or URI is not available then up to 20 alternatives can be dialled automatically.



TECHNICAL SPECIFICATIONS (please refer to technical manual for full product details)

Enclosure: (Wall mounted) Black carbon loaded glass-filled polyester

Handset: Polycarbonate handset with conductive coating, with coiled cord or stainless steel spiral cord (extended cord lengths available).

Keypad: Weathersealed tactile digital keypad

Certified Operating Temperature: -20°C to +50°C
(-4°F to +122°F)

Relative Humidity: Up to 95% (non-condensing)

Degree of protection: IP65 Curled, IP54 Steel Cord

Connection type: Spring loaded cage clamps

Network: 100BaseT

Power Supply: External 24V min, 53Vmax dc or IEEE Compliant Power-Over-Ethernet (PoE). NOTE: over the spare pairs only. Draws up to 7W.

Call set-up Protocol: Session Initiation Protocol (SIP) (RFC 3261 compliant)

Codes & Audio: G.711 A-Law G.711 μ -Law G.722 G.729 G.723.1 MP-MLQ G.723.1 ACELP

Codec preference sequence, DTMF in band/out of band (RFC2883), Configurable comfort tones (nation specific)

Security: Password protected

Quality of Service: Priority of IP Packets according to TOS and DiffServ VLAN Priority according to IEEE8021.p/802.1q

Reliability: MTBF 60,000 hours.

Redundancy: Supports up to 4 SIP proxys

Configuration: Via configuration file or on board password protected web page server. Static IP address or DHCP.

Monitoring: Automatic fault reporting via email or Syslog messaging. Real-time over TCP/IP proprietary Syslog application.

Update Server: Configuration and Firmware update via TFTP

NAT: Network Address translation traversal via STUN server

IP Address: Static IP provisioning or Dynamic Host Configuration Protocol (DHCP)

ICMP: Internet Control Message Protocol for inbound ping test

Memory Dialling: Numbers or URIs (with comfort tones)

Configurable Call Lists: Max 20 entries which divert to next in list if the call fails

External I/O: Single Relay contact pair rated for external beacon or sounder. Configurable activation e.g. on ringing cadence. Contact rating 5Amps @250Vac max.

Call Records: Via call description reports

Time/Date: Simple Network time Protocol with time zone and daylight saving. Date format – European / US

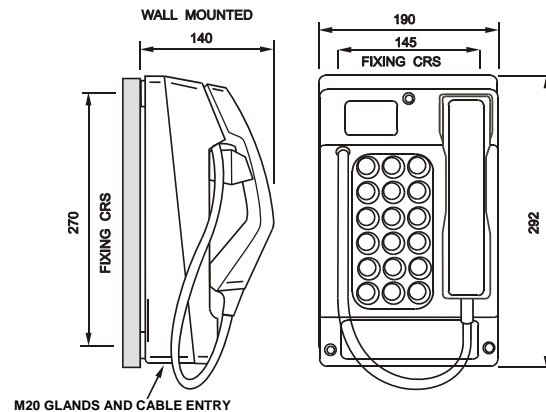
Ringin: Configurable via configuration file or web page. 90db @ 1 metre typical. Configurable volume

Time Out: Enforces a fixed call maximum time limit (variable) from lifting of the handset. User selectable.

Weight: approx. 3.5 kg (7.7lb)

DIMENSIONS:

H292 x W190 x D140 mm (H11.5 x W7.5 x D5.5 inch)
Fixing: H270 x W145 mm (H10.6 x W5.7 inch)



ORDER CODE

VoIP Auteldac 4 Curly Cord

18btn standard unit 212-02-7008-031
CB standard unit 212-02-7000-031

VoIP Auteldac 4 Stainless Steel Cord

18btn standard unit 212-02-7008-020
CB standard unit 212-02-7000-020

For headset versions, please contact GAI-Tronics for order codes

APPROVALS

Telephone compliance

Ex II 2G Ex e ib mb IIC T4 Gb (-20°C ≤ T_a ≤ 50°C) : Baseefa09ATEX0261

Ex E ib mb IIC T4 Gb (-20°C ≤ T_a ≤ 50°C) : IECEx BAS 09.0126

Headset compliance

Ex II 2 G EEx ib IIC T4 (-20°C ≤ T_a ≤ 40°C) TUV03ATEX2124

CE This mark indicates compliance with the following directives; ATEX Product Directive 94/9/EC

The GAI-Tronics Quality Management System has been approved by LRQA to ISO9001:2008 & ISO 14001:2004 Certificate No. 861888 and OHSAS 18001:2007 Certificate No. 4004472



GAI-Tronics® - United Kingdom - Tel: +44 (0)1283 500500 - Fax: +44 (0)1283 500400 - www.gai-tronics.co.uk
GAI-Tronics® (Corporate) - USA - Tel: +1(610) 777 1374 - Toll Free: 800 492 1212 - Fax: +1(610) 796 5954 - www.gai-tronics.com
GAI-Tronics® S.r.l - Italy - Tel: +39 02 48601 460 - Fax: +39 02 4585 625 - www.gai-tronics.co.uk
GAI-Tronics® Malaysia - Tel: +60 3 8945 4035 - Fax: +60 3 8945 4675 - www.gai-tronics.co.uk
GAI-Tronics® Austdac - Australia - Tel: 011 61 28 851 5000 - Fax: 011 61 29 899 2490 - www.austdac.com.au
An ISO 9001, ISO 14001, OHSAS 18001 Registered Company
The policy of GAI-Tronics is one of continuous improvement; therefore the company reserves the right to change specifications without notice.

B193-1-1009B/CN34766-001