



Drillers Intercom Digital Communication



- **Easy installation and start-up**
- **User-friendly PC software - Allows end-user to easily control, monitor and change the system setup**
- **Digital communications**
- **Remote Programming via modem**
- **Excellent Speech Quality**
- **Suitable for high noise areas; NEMA 4X**
- **Division 1 & 2 and Zone 1 & 2 hazardous areas**
- **Compact Central Housing**
- **Beacon Output**
- **Footswitch Input**
- **18 Watt on-board speaker amplifier**
- **Factory sealed**
- **Handsfree duplex or simplex operation -Adaptable for different customer requirements**
- **System easily expanded - Flexible enough to accommodate all size systems and system changes**

Drillers Intercom Systems provide communications between drill operators and rig personnel. Comprising a central controller or intercom server and various outstations, the systems' digital architecture is used to link the stations with the intercom server.

Standard intercom servers units include station line cards, audio interfaces and relay interfaces allowing ease of connection to PA, Radio or Alarm systems. Additionally, tone generators and telephone/radio interfaces may be added to create complex loud-speaking and PA systems. Each intercom server unit can manage up to 16 digital or analogue subscribers, expandable to 32 subscribers. Intercom servers may be linked or a larger server may be used for increased system size. By combining intercom servers, the system is easily expanded at any time.

The intercom server can interface with a variety of stations. The intercom stations are available as explosion-proof, weatherproof or desktop units.

The stations have direct access by using the keypad, pre-programmed keys or speed dials. This allows the user the capability of performing point to point private calls. Additionally, the system may be configured to allow group calls, conference calls and all call announcements.

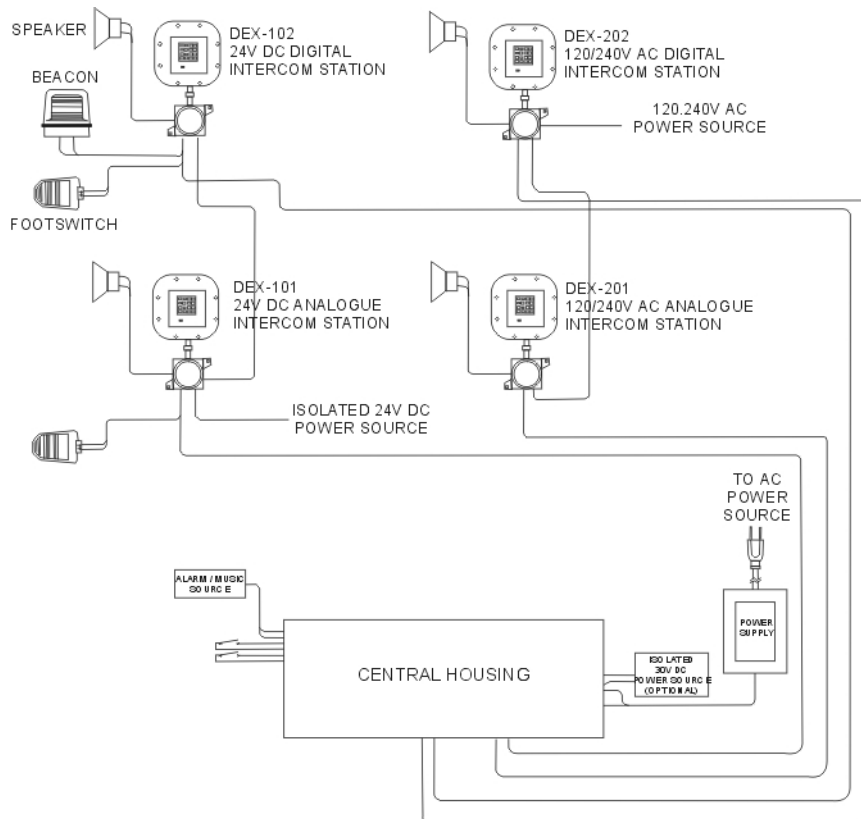
A Windows based configuration tool allows the user to program the system parameters and update the system setting when required. If connected to a modem the user or GAI-Tronics service personnel can dial in to the unit to troubleshoot the system remotely.

Drillers Intercom Digital Communication

TECHNICAL SPECIFICATIONS

	Hazardous Stn	Industrial Station	Intercom Server	Desktop Stn
Power Input +/- 10% (Intercom: 24V +/- 5%)	90-240VAC 50/60Hz, 24 VDC		AC: 40VA DC: 24-35 V/40W	Power supplied by Central
Physical Size WxHxD	10.3 x 15.9 x 8.1"	13.2 x 9.4 x 7.4"	12.2 x 8.26L x 3.05"	2.59 x 9.45L x 2.28"
Housing	Copper-free aluminium/grey epoxy	High-impact, anti-corrosive polyester	ABS Plastic	
Operating Environment	-20C to +60C @ 95% humidity, non-condensing		0C to +50C @ 20-80% humidity, non-condensing	0C to +50 C to 95% humidity non-condensing
Frequency Range	Tx: 200-4kHz Rx: 200-10kHz		200-7000 Hz	
Distortion	Less than 0.9%			
Mounting	Wall Mounted			Desktop
Termination	Screw Terminals			RJ45
Speaker Amplifier	18watts / 8 Ohm Load			
Cable CAT5	Signal – Twisted Pair, 20-24 AWG	Twisted Pair, 20-24 AWG		Star Feed, Twisted Pair
Cable Distance CAT5	9,000 ft with 20 AWG			
Transmission	Full Digital, 2 X 64 kBits speech, 16 kBits/s data			Full Digital, 2 X 64 kBits speech, 16 kBits/s data
Approvals	NRTL Listed – Class 1, Div. 1, Groups C,D		CE Approval	
Environmental Rating	NEMA 4X	NEMA 3R	IP 20	IP 50

SYSTEM DIAGRAM



SYSTEM FOR ILLUSTRATION PURPOSES

ORDER CODES

Hazardous Station with Keypad
120VAC **DEX-202**
24VDC **DEX-102**

Hazardous Station No Keypad
120VAC **DEX-201**
24VDC **DEX-101**

Industrial Safe Area Station
DIS-100

Intercom Server **DIS-200**

Desktop Station **DDT-100**

