




## PHP400

### Hands-Free, Vandal Resistant, Disability-Friendly Telephone



- **SMART Analogue, GSM and VoIP-SIP options**
- **Large, vandal resistant metal buttons, palm operable**
- **Raised text button legends with Braille**
- **Integral Induction Loop facility for hearing impaired**
- **Audio-visual ring indication**
- **Emergency override**
- **Hands free operation**
- **Local PA**
- **Robust and weather resistant: IP65**
- **1 or 2 button autodial options with remote programming**
- **Suitable for pole mounting to a single PSTN post or surface mounting, simple installation**
- **400mm diameter**
- **NETWORK RAIL approved** 

The PHP400 Help Point is a rugged, public access hands-free telephone housed in a white enclosure.

The units are compact (400mm diameter, 88mm deep) and have the same fixing requirements as other GAI-Tronics telephones.

The Help Point telephones are vandal and weather resistant, providing hands-free loudspeaking communications for any public area.

The design of the unit takes into consideration the requirements of DDA (Disability Discrimination Act).

Connectivity options are:

#### SMART Analogue

The unit provides basic telephone functions and can be connected to any standard two-wire telephone line, including FXS ports, analogue PABX lines and PSTN.

**Self Monitoring And Reporting Telephone** can be integrated with GAI-Tronics' TMA monitoring and maintenance software and/or GAI-Tronics CMA call centre. SMART gives advanced features including remote programming, fault monitoring and call logging.

#### GSM

The GSM version has dual band 900/1800 MHz. It accepts any standard SIM card and has cable connection to an external aerial.

#### Voice over IP (SIP protocol)

For connection to a VoIP enabled network, GAI-Tronics VoIP-SIP telephones offer direct connection to LAN or WAN via RJ45 connector, including Power-Over-Ethernet (PoE) as standard. GAI-Tronics VoIP-SIP phones offer a wealth of additional features including real-time reporting via Syslog, and can be configured by web browser.

#### 2 button autodialler

Buttons labelled "Information" and "Emergency". Each button can be programmed with a number up to 24 digits.



Pressing the Emergency button will override an information call.

#### 1 button autodialler

Can be configured to dial a stored number or as a 'hotline', where the exchange routes the call.



As well as the standard Help Point range, GAI-Tronics can supply specials to order with customised options.

### Hands-Free, Vandal Resistant, Disability-Friendly Telephone

#### TECHNICAL SPECIFICATIONS

**Casing Material** mild steel, zinc coated, powder coat finish - white. Call for other options.

**Disability Features**

Raised text and Braille legend to button; Integral induction loop

**Keypad** Raised, stainless steel, vandal resistant pushbutton (palm operable)

**Temperatures**

Operating temperature: -20 to +60° C

Storing: -40° C to +70° C

**Lightning / Transients**

Protection to ITU-T k.21 enhanced levels

**Weather Resistance** IP65

**Humidity** 95% RH non condensing

**Weight:** 6.5kg

#### ANALOGUE / GSM

**Speech**

Voice-switched (VOX) semi-duplex operation

Call timeout programmable from 1 to 42 minutes.

Remote switch-off capability

**Dialling**

Autodial keypad single-press switch-on-and-dial

24 digits maximum with embedded Recall, Pause, Pulse & Tone characters

**Ringing**

Dual tone ringing through loudspeaker >75 dB @ 1m REN 1

**Power Supply** 230Vac @ 650mA max

**Memory Retention (autodiallers)** E<sup>2</sup> Prom - 10 year life

**Options:**

**Remote programming**

Auto-dial numbers, time-out and dial mode can be programmed over the phone line either from a tone phone or from monitoring software (TMA).

**Configuration**

Remotely programmable via TMA

**Remote monitoring**

Remote health-check and fault reporting, either on a call-in or polled basis. TMA required.

**Call Logging**

Records call time, duration and auto-dial number used. TMA required.

#### VOICE OVER IP - SIP

**Connection type**

SIP to RFC3261

Ethernet connection via RJ45 socket inside enclosure

**Power supply**

Power requirement: 230Vac @ 650mA max (typ 50mA in idle state), or optional 48Vdc @ 1A max

Mains connection via screw terminals inside enclosure

Cable access: single 20mm hole to both top and bottom of enclosure (blanking plugs supplied).

**Call set-up Protocol**

Session Initiation Protocol (SIP) (RFC 3261) only

**Configuration**

Remote configuration via web pages, serial port, Telnet or configuration file

Static IP address provisioning or DHCP

**External I/O**

4 auxilliary inputs, 2 isolated relay outputs (1 capable of switching 230Vac)

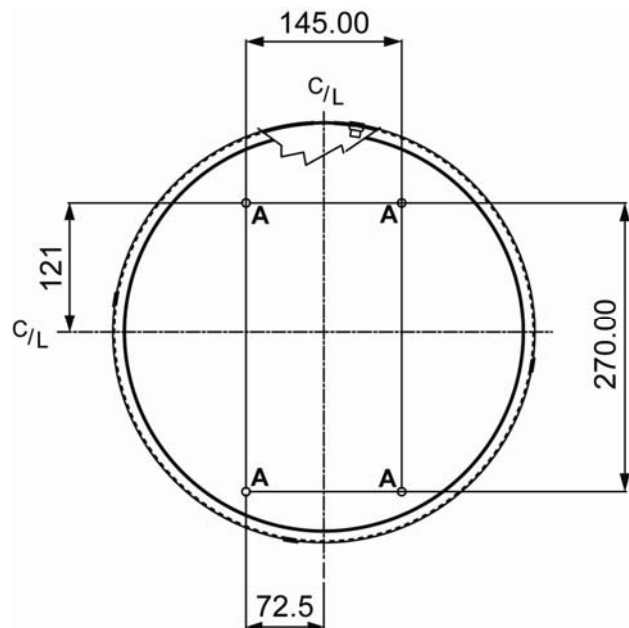
**Monitoring and reporting**

Remote alarms via syslog or email

#### DIMENSIONS

405mm diameter x 88mm depth (button protrudes a further 10mm from front panel)

Mounting centres: 145 x 270mm



#### APPROVALS

This mark indicates compliance with the: Radio & Telecommunications Terminal Equipment Directive 1999/5/EC (R&TTE)



2002/96/EC - Waste Electrical and Electronic Equipment (WEEE) Directive

2002/95/EC - Restriction of the use of certain hazardous substances in electrical and electronic equipment (RoHS)

Tested to CTR21



Network Rail Approved



For specific country approval, please call

#### ORDER INFORMATION

For order codes and details, please contact

T: 01283 500500, F: 01283 500400, E: sales@gai-tronics.co.uk

#### OPTIONAL ACCESSORIES

Please ask for Brochure B150 or visit www.gai-tronics.co.uk

